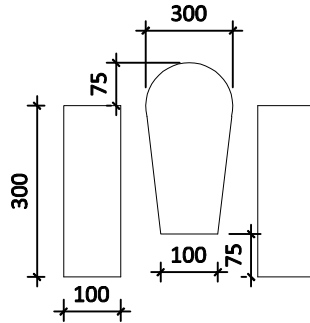
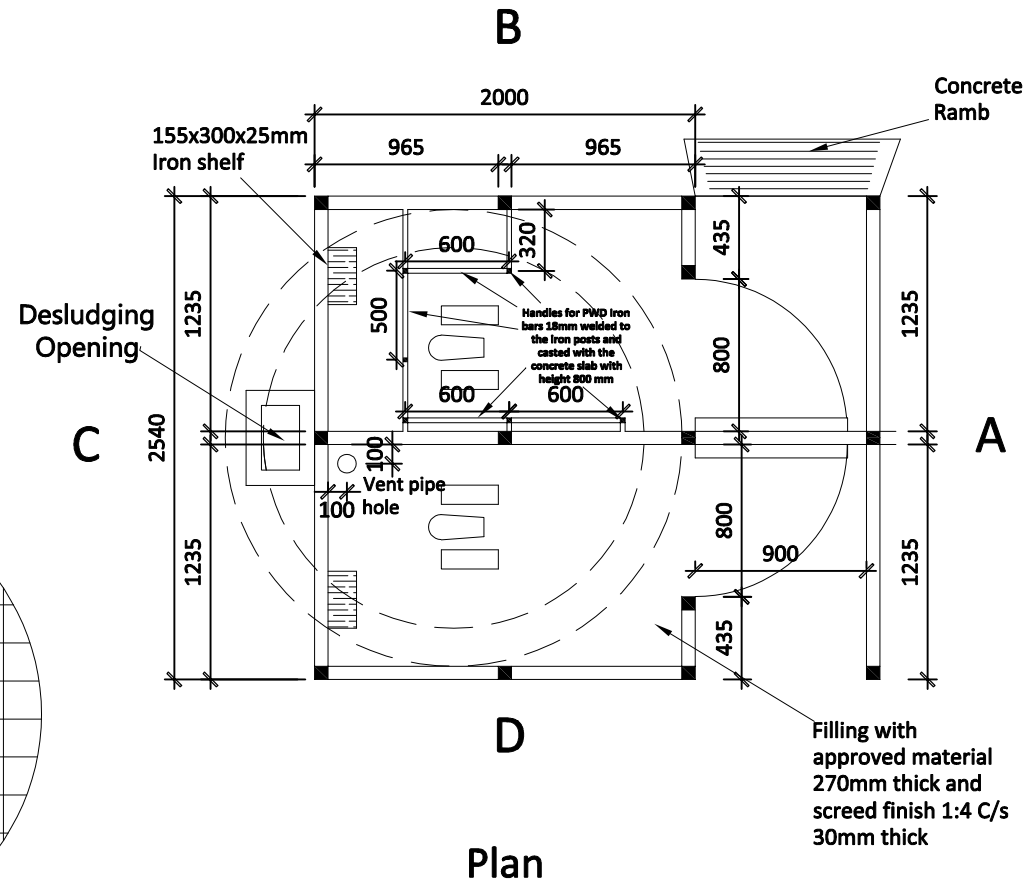


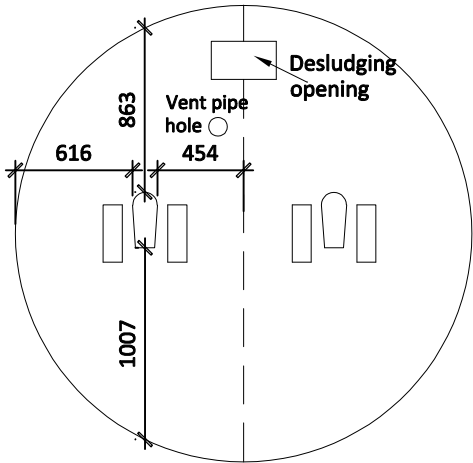
Typical door shutter



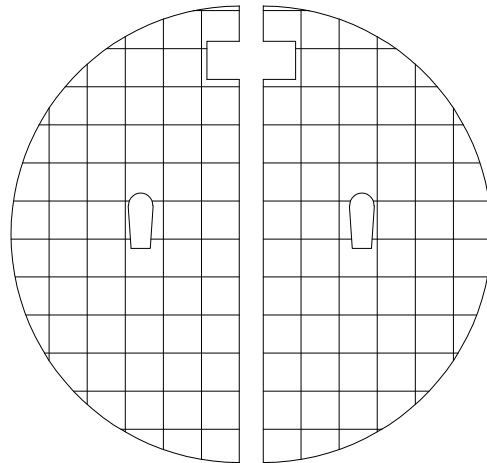
Squat hole & Foot rest detail



Plan



RC Cover Slab



D10@200c/c in slab  
reinforcement conc. mix 1:2:4

NOTES:	NOTES:	Revisions:	Project Title:	Drawing Title:	Scale:	Drawn by:
			Proposed Sanitation Facilities	Pit Latrine -Plan, Slab,	Checked:	Date:
			in Tunaydbah Camp	Door Details	Drawing No:	